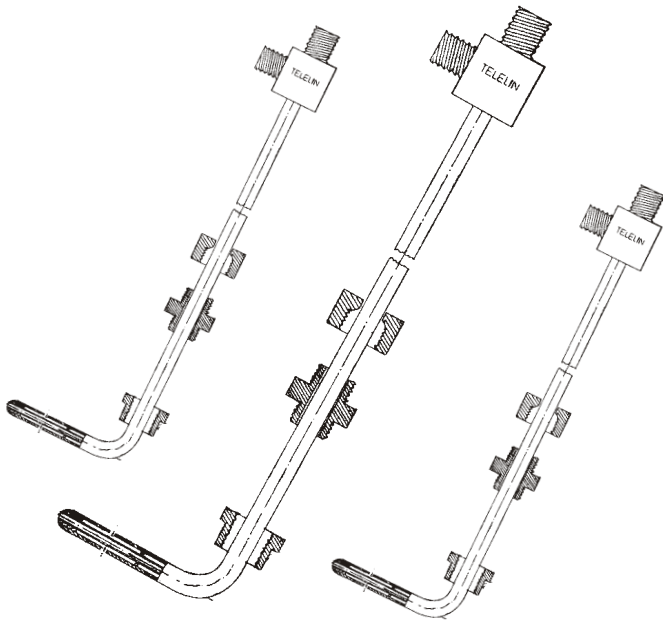


## PITOT TUBES : L-SHAPE : Model No. PT-131



L-Shape Tubes are most commonly used for checking velocity and static pressure in ducts containing clean air or gases. Design yields a calibration factor of 1 & so no correction factor is required. Permanent engraved insertion depth graduations (optional) facilitates accurate positioning. Static Pressure sensing port is parallel to sensing tube, allowing quick, easy alignment of tube with air flow. Low sensitivity to misalignment gives accurate reading for upto 15° misalignment. Various standard sizes are available from 150 mm i.e. 6" to 3500 mm i.e. 140" insertion length.

### Features :

No calibration needed as coefficient of 1. Precisely located burr free static & impact pressure holes. Heraspherical tip design for higher reading accuracy. Long lasting stainless steel construction. Rated for upto 815°C

(1500°F) Temp. For Higher Temp. 310 S.S. on Inconel material tubes are also made & supplied.

Model No.	Insertion Length	Model No.	Insertion Length
PT-131-8	200 mm	PT-131-60	1500 mm
PT-131-12	300 mm	PT-131-80	2000 mm
PT-131-20	500 mm	PT-131-100	2500 mm
PT-131-30	750 mm	PT-131-120	3000 mm
PT-131-40	1000 mm	PT-131-140	3500 mm

**Standard :** a) MOC-304 S.S. b) Pipe -O.D. 3/8", I.D. 1/4" c) Pressure Connections 1/4" BSP (Male)  
d) Process connection 3/8" BSP Male adjustable (e) other required length, M.O.C., O.D. - I.D. Tube and pressure connections can be provided.

### Optional :

- 1) Engraved insertion depth marking
- 2) Nozzel or other process connection adaptors
- 3) Isolating valves
- 4) Connecting Hose or Tubing
- 5) D.P. Indicating Instrument : Liquid Column Manometer Digital Pressure Meter
- 6) Any other size or material of construction or tube as per your given drawing can be made & supplied

### CALIBRATION :

For exact calibration i.e. constant factor, tubes can be got calibrated at I.I.T., Powai on your behalf in their low speed wind tunnel of aerospace engineering department. Cost Rs. 15000/- + service Tax. Time required 4 to 6 weeks. IIT requires full payment in advance and upto 3 nos. tubes can be calibrated in above estimate. For more quantity charges will increase.

### OTHER ITEMS SUPPLIED FOR USE WITH PITOT TUBE :

Inclined Tube/ U-Tube Manometer, Digital Manometer, Adaptors, Tubing, Manometric Liquid etc. can be supplied.